

SWINGBED *CHAIN* HANGING KIT ILLUSTRATIONS:

NOTE : Haven & Harmony strongly recommends hiring a professional contractor to perform your swung installation. It is crucial to make sure the swing is properly secured to avoid potential injuries and damage. Haven & Harmony is not liable for any injuries or damage resulting from a Swing Bed installation. Find further information on our [Policies](#) page.

The ILLUSTRATIONS below refer to the hanging hardware we offer as a purchasing option for our Swing Beds. Please note that other hanging methods may not be represented. Swing Bed frame should be installed into a structural ceiling component or concrete ceiling.

TOOLS RECOMMENDED:







- **Drill with bits for starter holes**
- **Wrench or electric driver**
- **Screwdriver**
- **Square**
- **Tape measure**
- **Plumb Bob**

Scan the QR code to see additional Hanging Tips on our FAQ page:



CHAIN HANGING KIT

One Chain Option:

Product Illustration	Material Type	8' Ceiling	10' Ceiling	12' Ceiling	14' Ceiling
	1/4" Zinc Chain	8'	10'	12'	14'
	1/4" Galvanized Chain	8'	10'	12'	14'
	1/4" Stainless Steel Chain	8'	10'	12'	14'
Kit also includes:					
	3 1/8" Pull Ring Detent Pin	4	4	4	4
	2" Spring Snap Hook Carabiner	4	4	4	4
OPTIONAL Kit accessory (if applicable):					
	Swing-Mate® Deluxe – Bracket + Spring	4	4	4	4

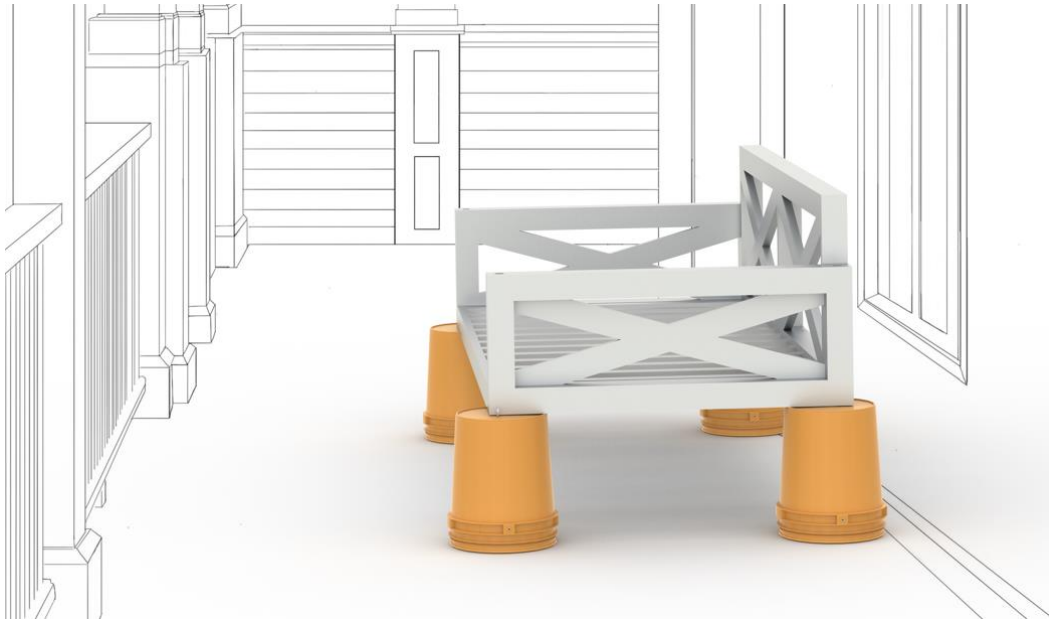
CHAIN HANGING KIT – INSTALLATION INSTRUCTIONS

NOTE: Haven & Harmony strongly recommends hiring a professional contractor to perform your swung installation. It is crucial to make sure the swing is properly secured to avoid potential injuries and damage. Haven & Harmony is not liable for any injuries or damage resulting from the Swingbed installation. Find further information on our [Policies](#) page.

We have suggestions and tips we've learned that might be helpful during installation on our [FAQ](#) page.

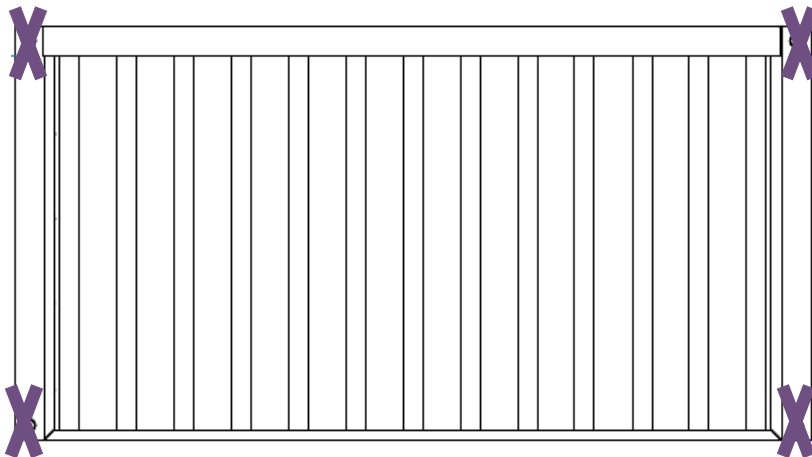
STEP 1:

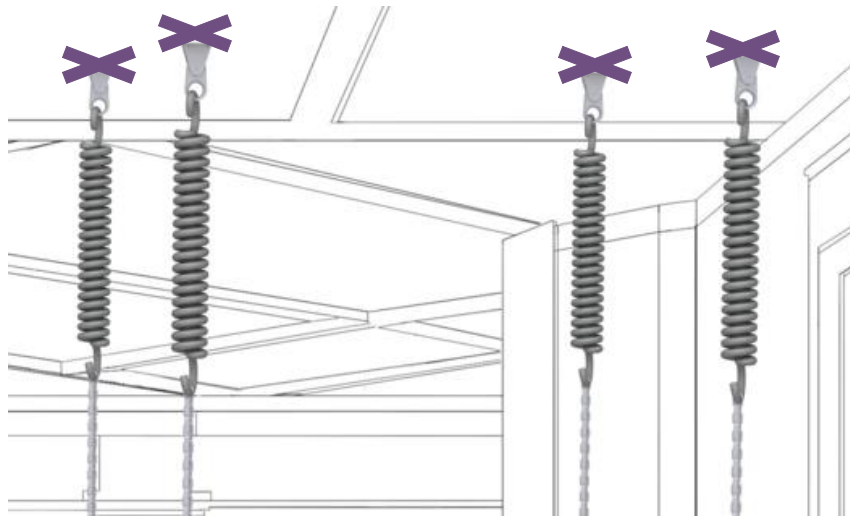
POSITION THE SWINGBED ON TOP OF 4 - 5 GALLON BUCKETS OR ANY OTHER EASY METHOD TO ATTAIN DESIRED HEIGHT AT THE LOCATION IT WILL BE PERMANENTLY INSTALLED. ADDITIONAL SUPPORTS CAN BE ADDED ON TOP OF EACH BUCKET FOR ADDITIONAL HEIGHT.



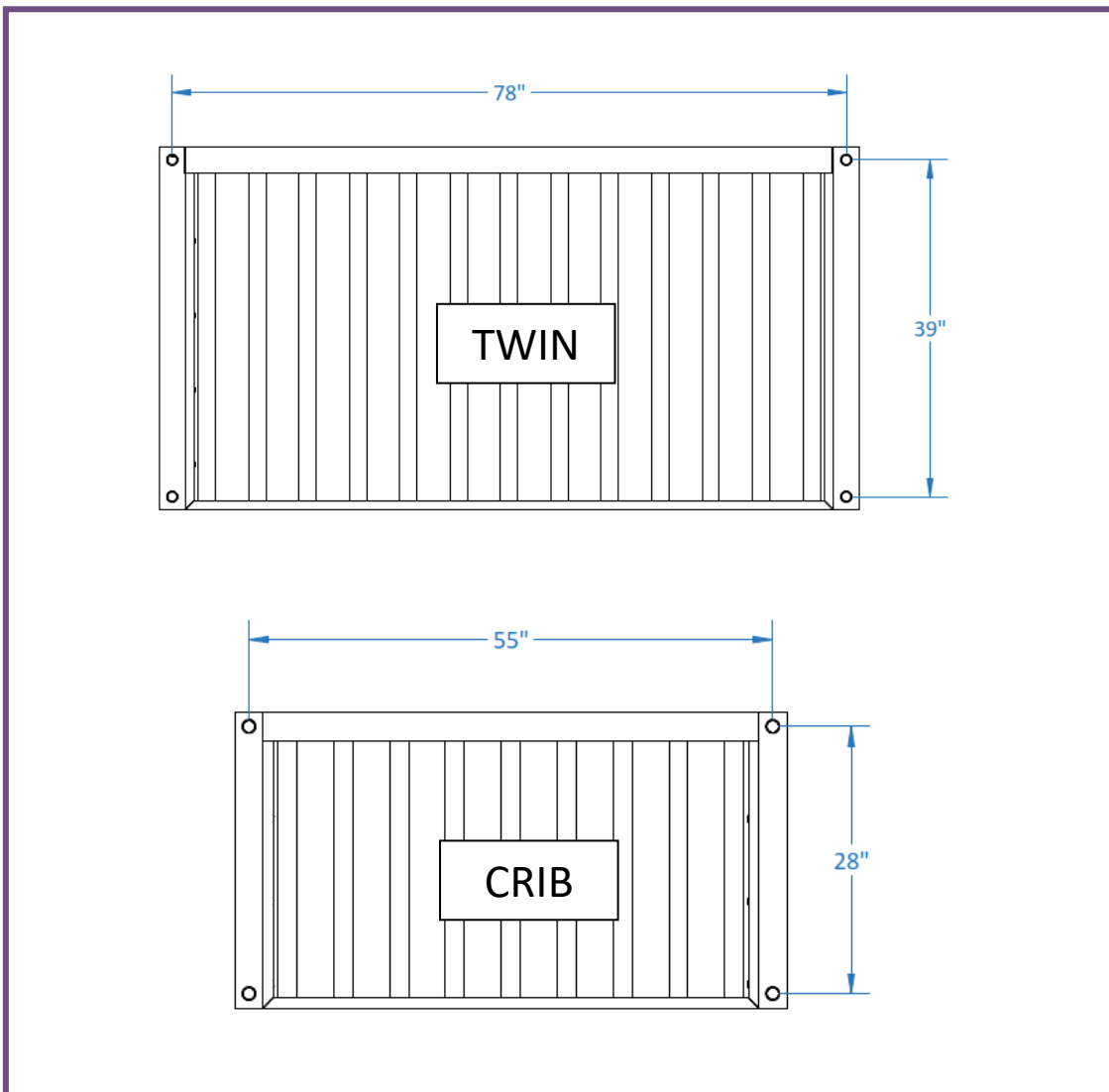
STEP 2:

MARK POINTS ON THE CEILING WHERE YOUR INSTALLATION HARDWARE WILL BE LOCATED. THESE POINT SHOULD DIRECTLY ALIGN WITH THE HANGING CHANNELS IN THE 4 ARM LOCATIONS OF THE SWING. BELOW IS THE LOCATION GUIDE ILLUSTRATION (AERIAL VIEW)



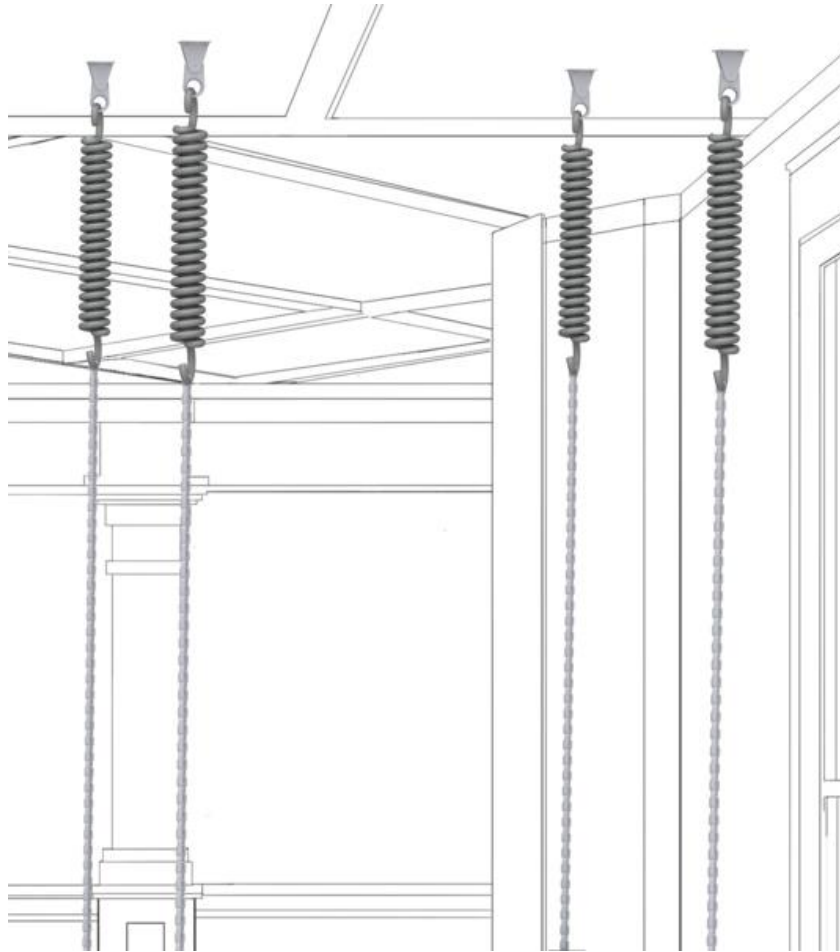


HANGING CHANNEL LOCATIONS BY SWING BED SIZE



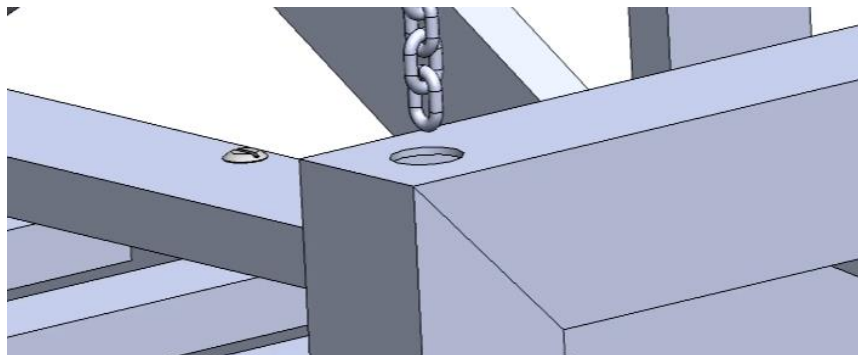
STEP 3:

MOVE THE SWING OFF TO ONE SIDE WHILE YOUR PROFESSIONAL CONTRACTOR PROPERLY INSTALLS HANGING BRACKETS (SWING-MATE™ DELUXE OR CONTRACTOR SELECTED). YOU SHOULD NOW HAVE 4 CHAINS HANGING FROM THE CEILING



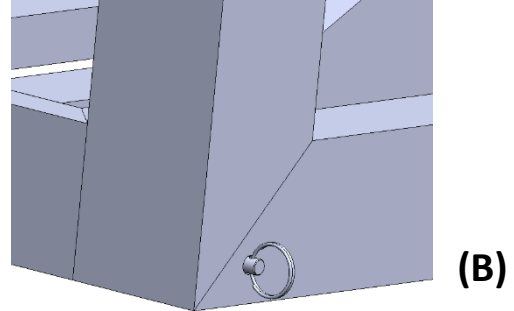
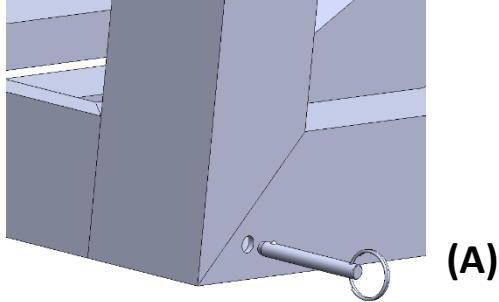
STEP 4:

REPLACE SWINGBED BACK INTO ORIGINAL POSITION AND DROP ONE (1) CHAIN THROUGH EACH HANGING CHANNEL FOUND ON EACH SWINGBED CORNER.



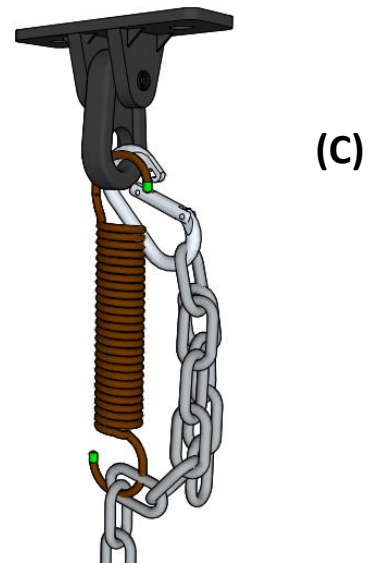
STEP 5:

INSERT DETENT PIN THROUGH SMALL SIDE HOLE IN SWINGBED SIDE **(A)** AND SECURE CHAIN DETENT PIN THROUGH 1ST (BOTTOM) LINK OF CHAIN **(B)**.



STEP 6:

ATTACH CHAIN TO THE SPRING AT THE DESIRED HEIGHT, ADJUST TO LEVEL AS NEEDED AND SECURE EXCESS SAFETY CHAIN TO THE HANGING BRACKET WITH CARABINER (if applicable) **(C)**.



STEP 7:

REMOVE BUCKETS, ADD CUSHIONS AND ENJOY!



support@havenandharmony.com

727.597.4142