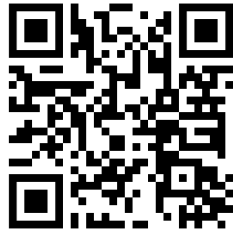


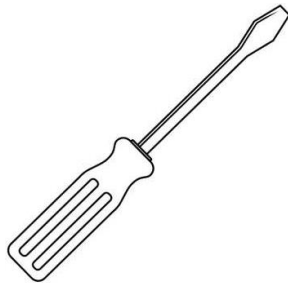
TWIN ASSEMBLY INSTRUCTIONS:

Scan the QR code to see additional Hanging Tips on our FAQ page:



Tools Needed:

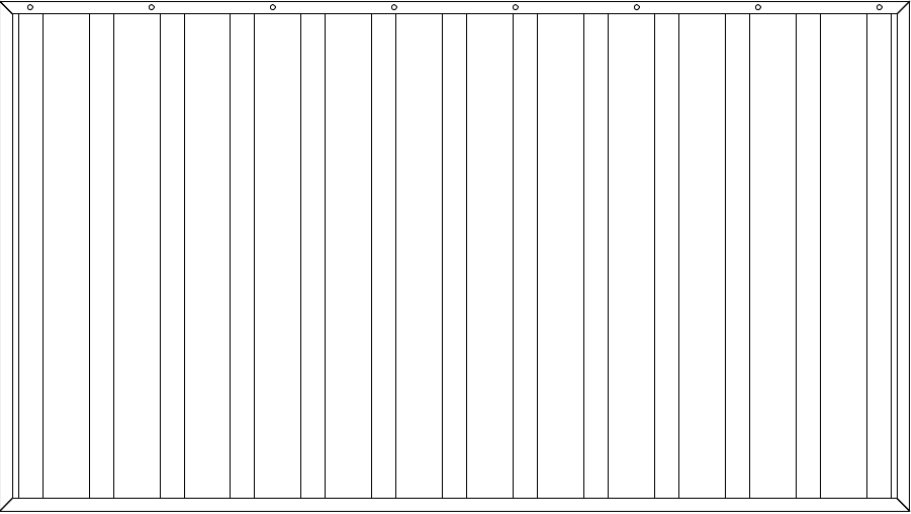
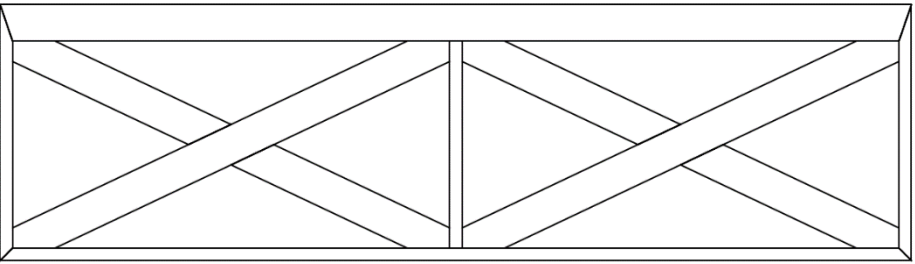
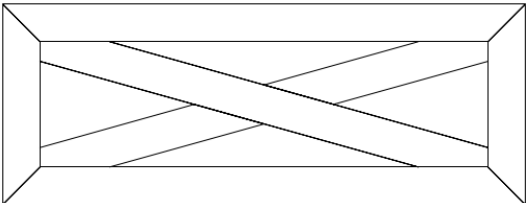
1 – Flat head screwdriver



Included:

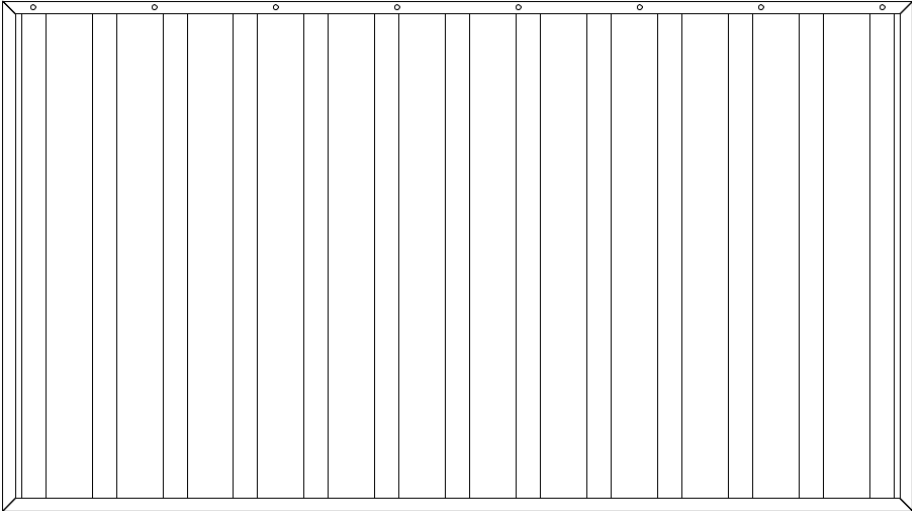
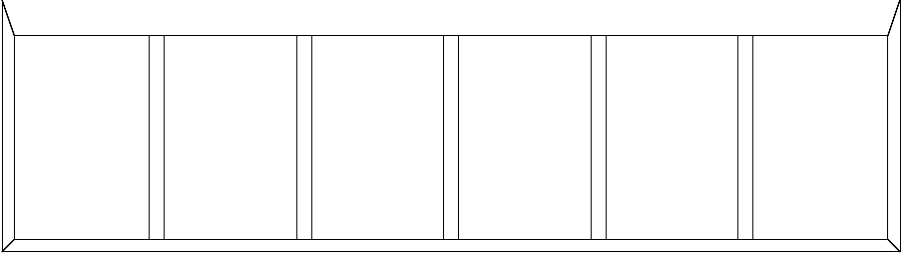
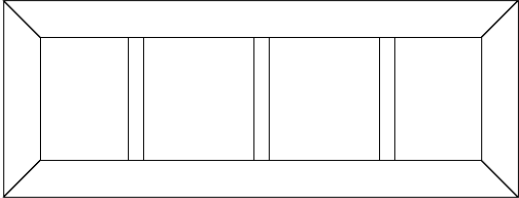
Illustration	Part	Maggie Qty	Connie Qty	Debbie Qty	Shirley Qty
	<p>¼" NYLON WASHER</p>	22	22	22	22
	<p>¼" X 2" SS 18-8 SIDEWALK BOLT</p>	22	22	22	22
<p>ASSEMBLY INSTRUCTIONS</p>	<p>PRINTED</p>	1	1	1	1
<p>TOUCH-UP PAINT – Ordered Color</p>	<p>.6 OZ BOTTLE</p>	1	1	1	1

Swingbed Frame Components Included:

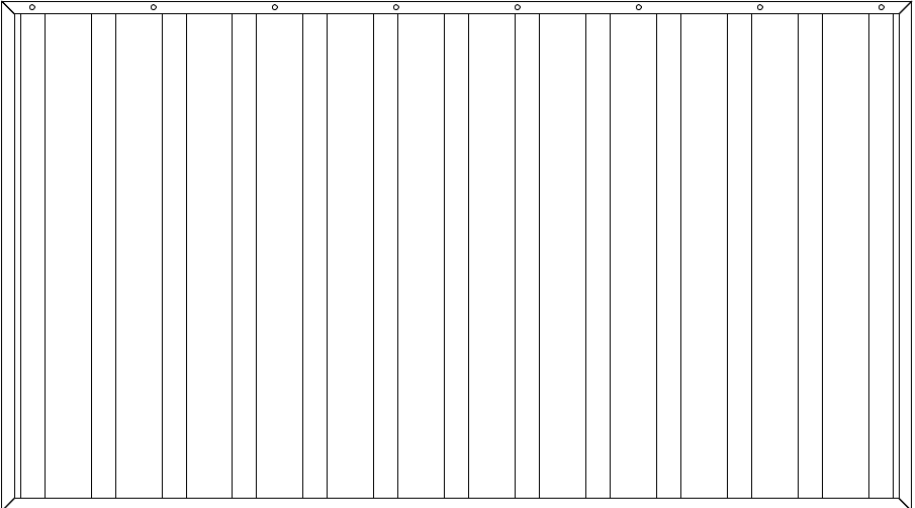
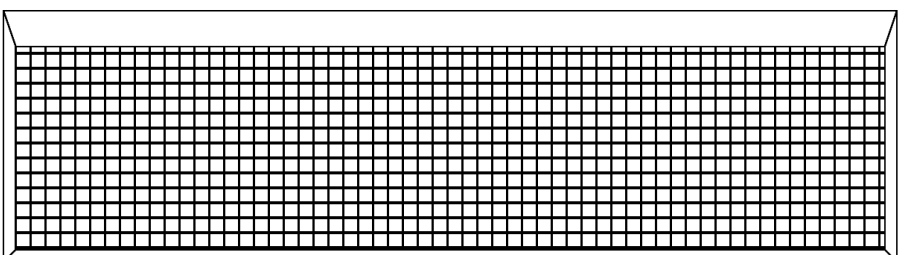
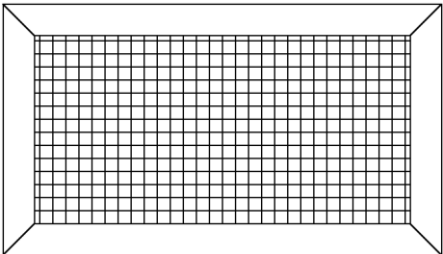
Illustration	Part	Maggie - Qty
	<p>Seat</p>	<p>1</p>
	<p>Back</p>	<p>1</p>
	<p>Arms</p>	<p>2</p>

--	--	--

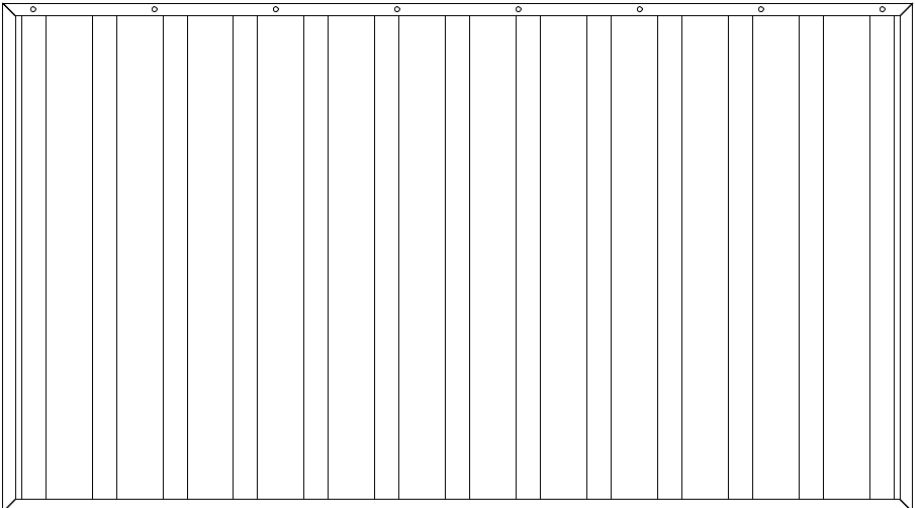
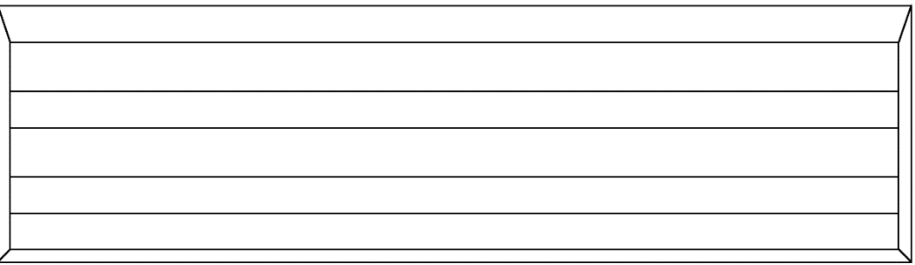

Swingbed Frame Components Included:

Illustration	Part	Connie - Qty
	Seat	1
	Back	1
	Arms	2

Swingbed Frame Components Included:

Illustration	Part	Debbie - Qty
	Seat	1
	Back	1
	Arms	2

Swingbed Frame Components Included:

Illustration	Part	Shirley - Qty
	Seat	1
	Back	1
	Arms	2

ASSEMBLY NOTES:

- USE 1 NYLON WASHER WITH EACH BOLT
- DO NOT OVERTIGHTEN BOLTS
- DO NOT CRUSH NYLON WASHER
- ILLUSTRATIONS MAY NOT BE REPRESENTATIVE OF THE STYLE ORDERED

STEP 1:

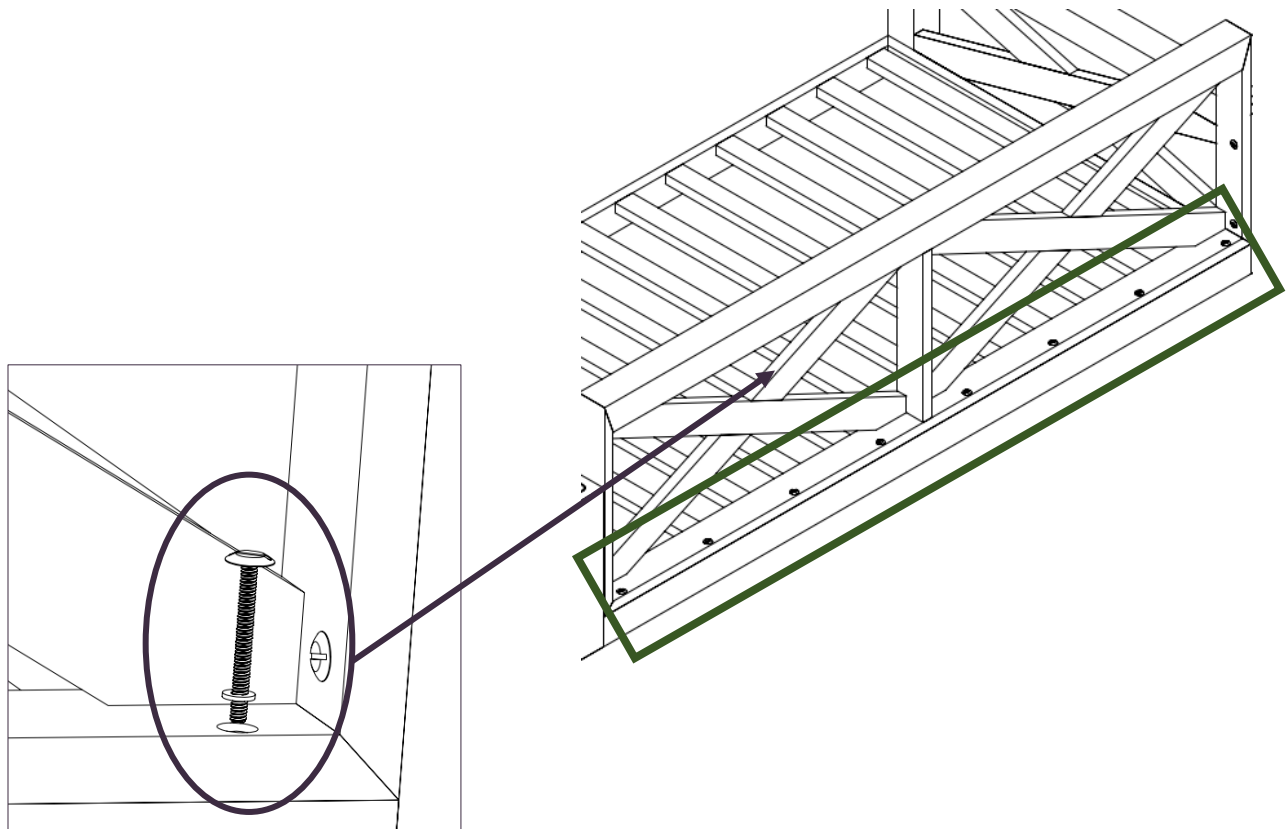
LAY SEAT ON A FLAT SURFACE COVERED WITH THE SHIPPING BOX (OR SOMETHING SIMILAR) TO ELIMINATE DAMAGE DURING ASSEMBLY

STEP 2:

SET BACK ON SEAT BY ALIGNING CONNECTION HOLES

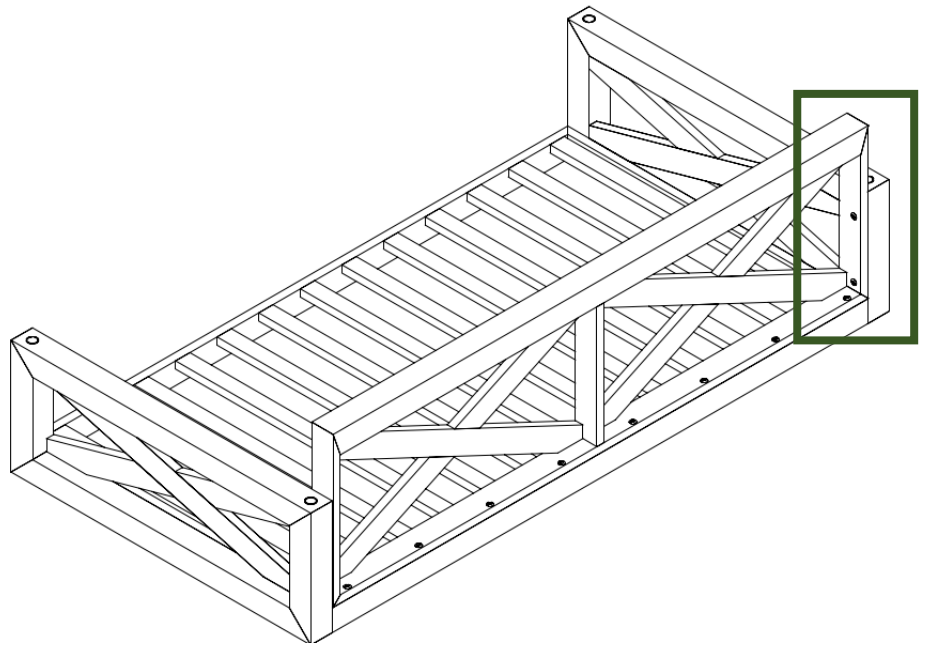
STEP 3:

USING 2" SIDEWALK BOLTS AND WASHERS (Qty 8), **LOOSELY** SECURE THE BACK PANEL TO THE SEAT ON THE BOTTOM ONLY. FINISH UP BY TIGHTENING ALL BOLTS TO FIRMLY SECURE THE 2 PIECES TOGETHER.



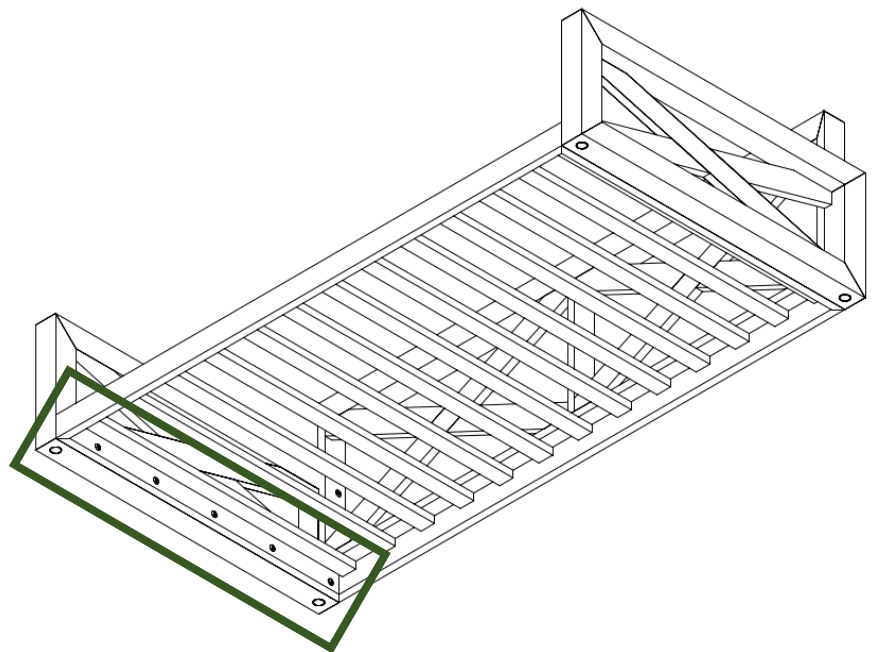
STEP 4:

USING 2" *SIDEWALK BOLTS AND WASHERS* (QTY 2 ON EACH SIDE), **LOOSELY** SECURE ONE (1) SIDE ARM PANEL TO THE BACK PANEL. PROCEED WITH THE OTHER SIDE ARM PANEL.



STEP 5:

LAY THE SWING ON IT'S BACK AND **LOOSELY** SECURE BOTH SIDE ARM PANELS TO THE SEAT FRAME USING 2" *SIDEWALK BOLTS AND WASHERS* (QTY 5 ON EACH ARM).



STEP 6:

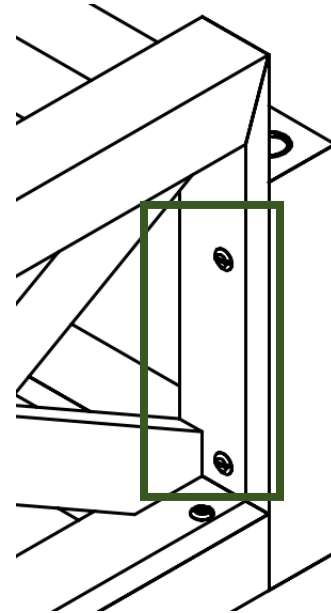
TIGHTEN ALL BOLTS ON THE S'
THE ARMS.

SWING BACK UP TO FINISH SECURING

STEP 7:

TIGHTEN BOLTS ON BOTH ARM SIDE PANELS CONNECTING TO THE BACK PANEL.

NOTE: DO NOT OVERTIGHTEN BOLTS



YOUR SWING IS NOW READY FOR HANGING HARDWARE AND INSTALLATION!

Let us hear from you!

support@havenandharmony.com

[727.597.4142](tel:727.597.4142)

